



HRL-0400-1 HEATLESS DESICCANT AIR DRYER GENERAL ARRANGEMENT

TOLERANCES UNLESS
OTHERWISE SPECIFIED:

- FRACTIONS = ± 1/4 "
- ANGLES = ± 3°
- INCHES = ± 1/2 "
- FINISH = 250

THE SPECIFICATIONS AND DRAWINGS DISCLOSED HEREIN ARE THE SOLE PROPERTY OF ALTEC AIR, AND SHALL NOT BE COPIED OR USED AS THE BASIS FOR SALE OR MANUFACTURE WITHOUT EXPRESS WRITTEN PERMISSION.

REVISION LOG

REV.	ECO.	DESCRIPTION	DATE	APPROVED
A				

DRAWING NO.

AT20-1410

REV.
A

DRAWN: WS

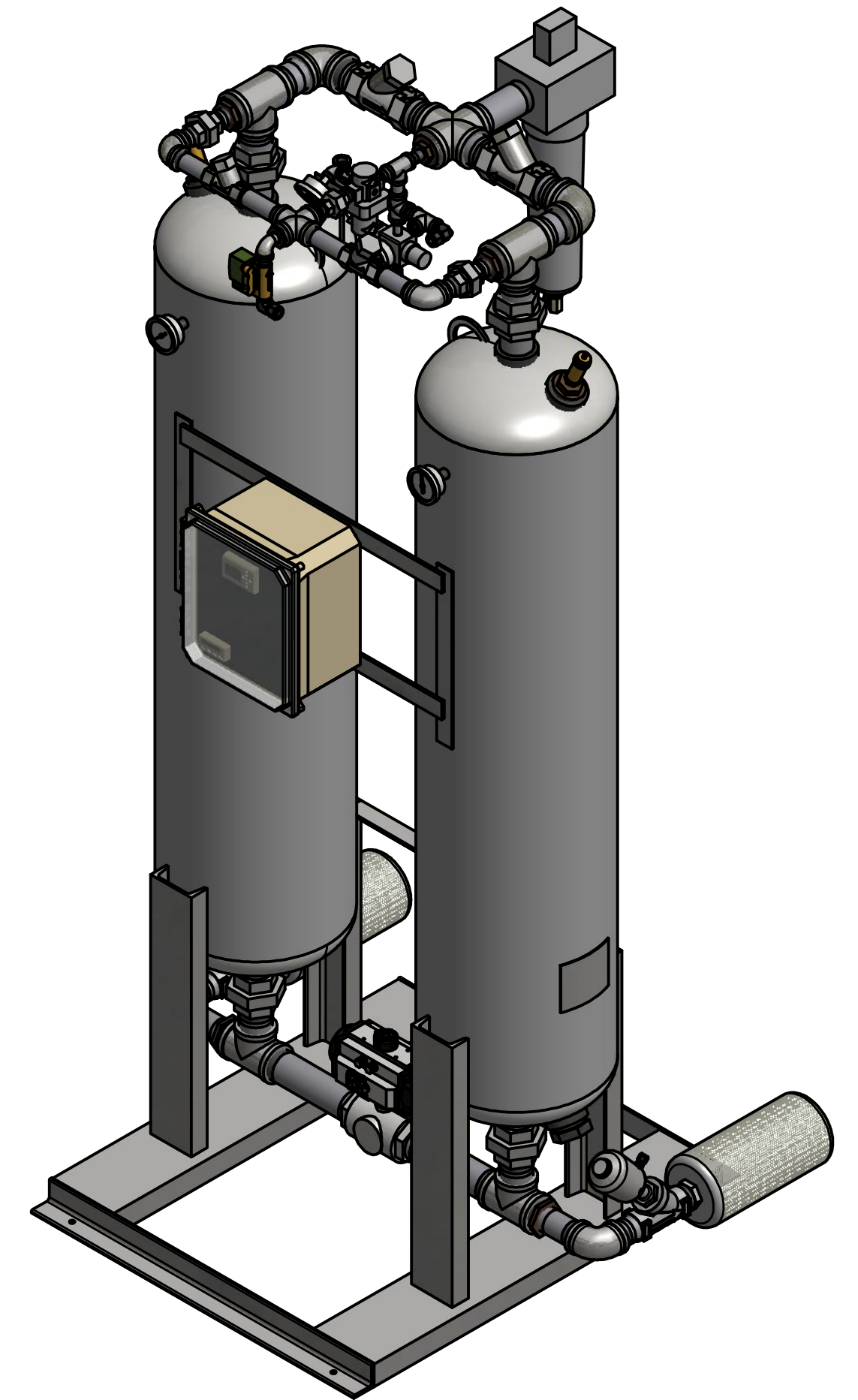
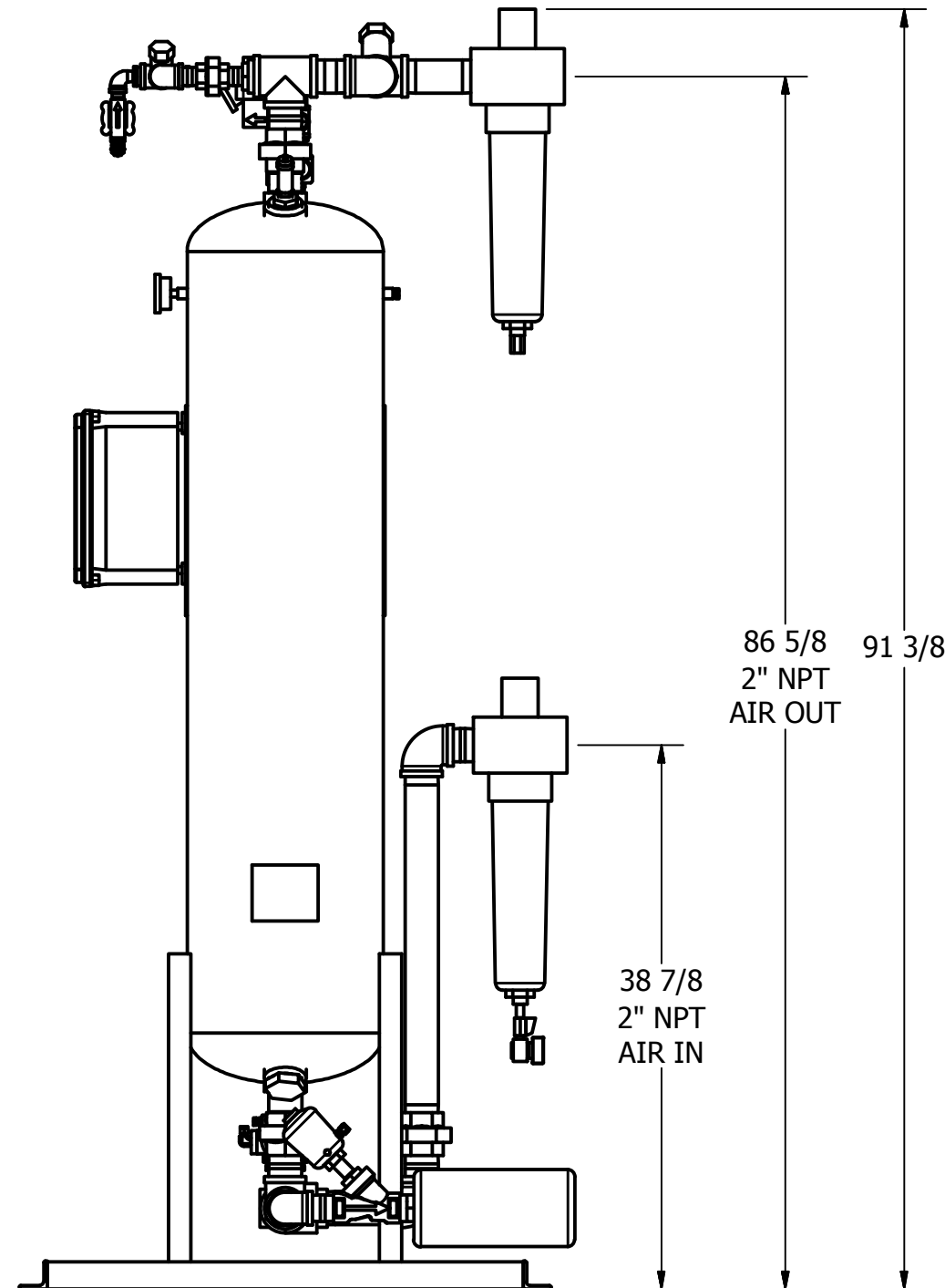
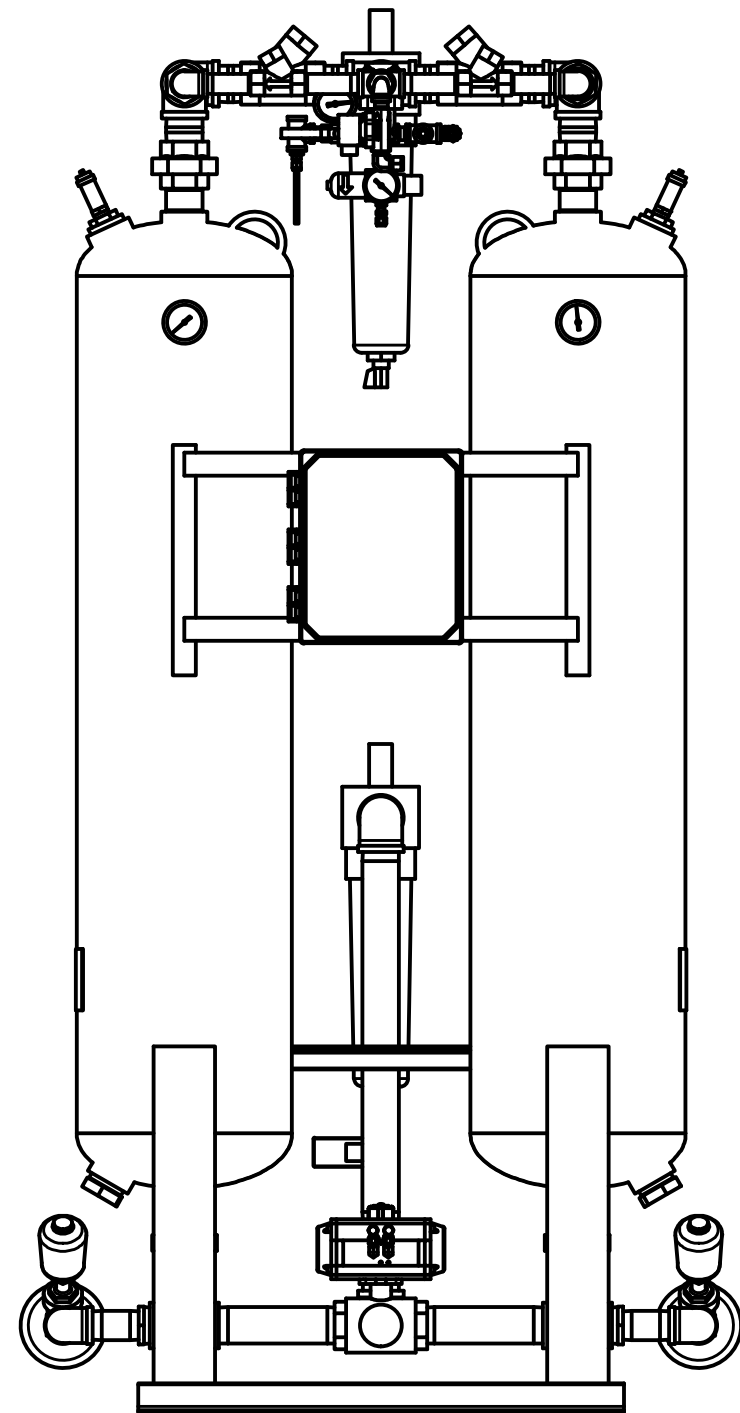
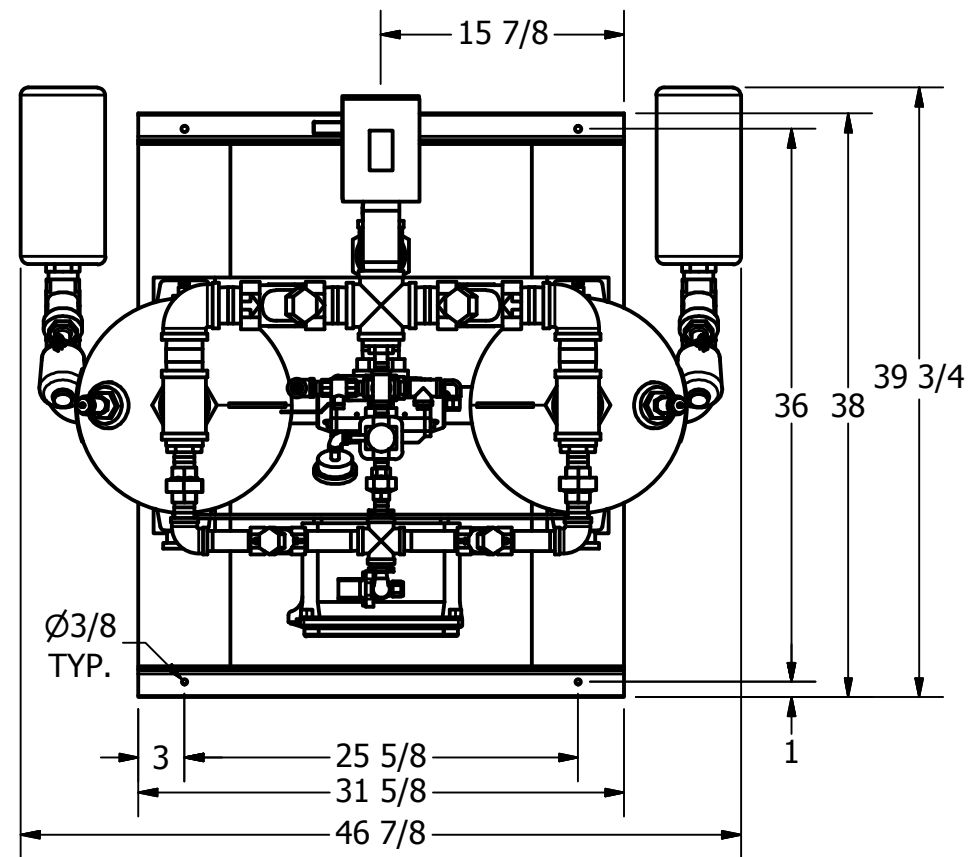
DATE: 7/15/2021

CHECKED:

DATE:

SCALE: N/A

SHEET: 1 OF 2



PRELIMINARY



HRL-0400-1 HEATLESS DESICCANT AIR DRYER GENERAL ARRANGEMENT

TOLERANCES UNLESS
OTHERWISE SPECIFIED:

FRACTIONS = ± 1/4 "
ANGLES = ± 3°
INCHES = ± 1/2 "
FINISH = 250

THE SPECIFICATIONS AND DRAWINGS DISCLOSED HEREIN ARE THE SOLE PROPERTY OF ALTEC AIR, AND SHALL NOT BE COPIED OR USED AS THE BASIS FOR SALE OR MANUFACTURE WITHOUT EXPRESS WRITTEN PERMISSION.

REVISION LOG

REV.	ECO.	DESCRIPTION	DATE	APPROVED
A				

DRAWING NO.

AT20-1410

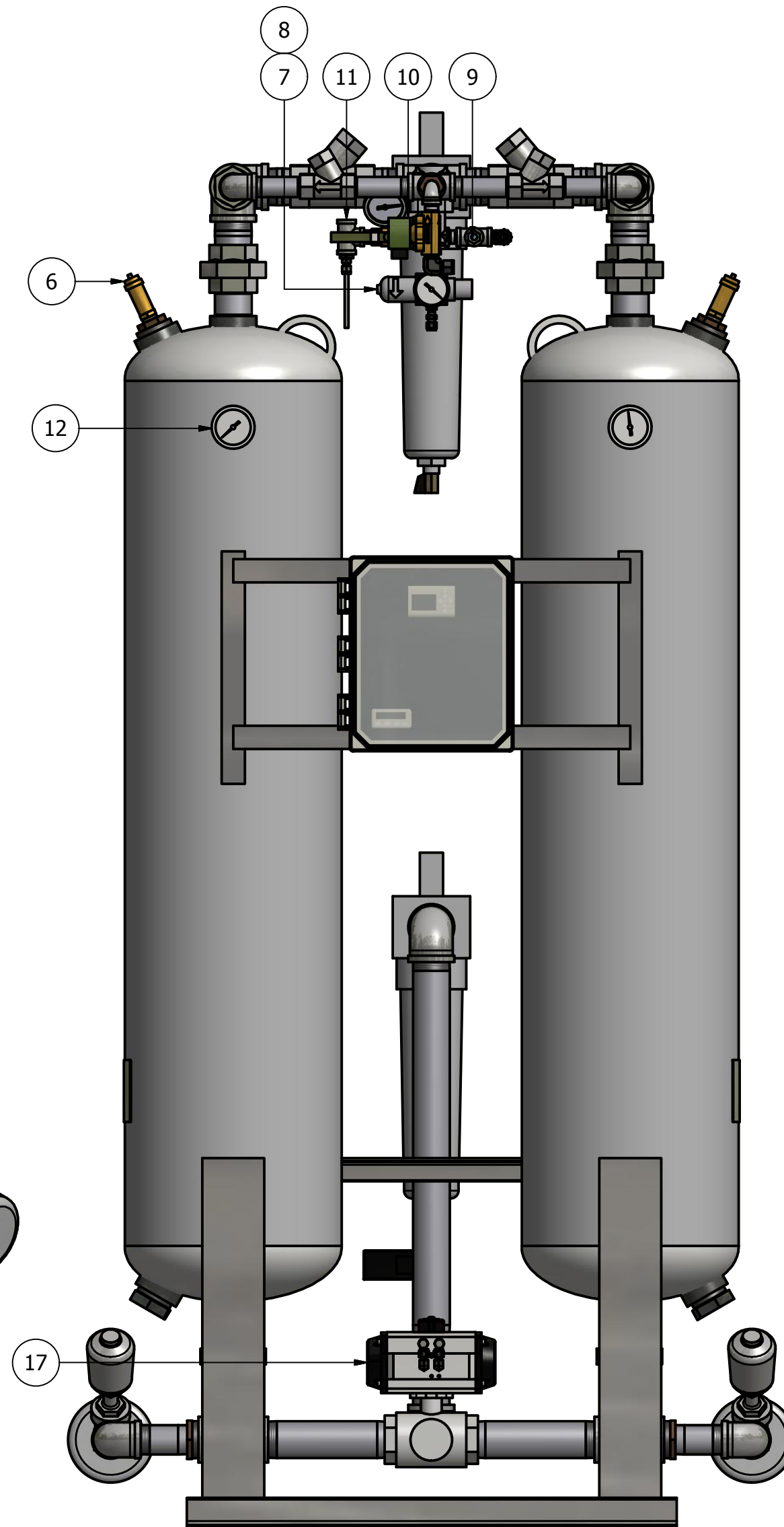
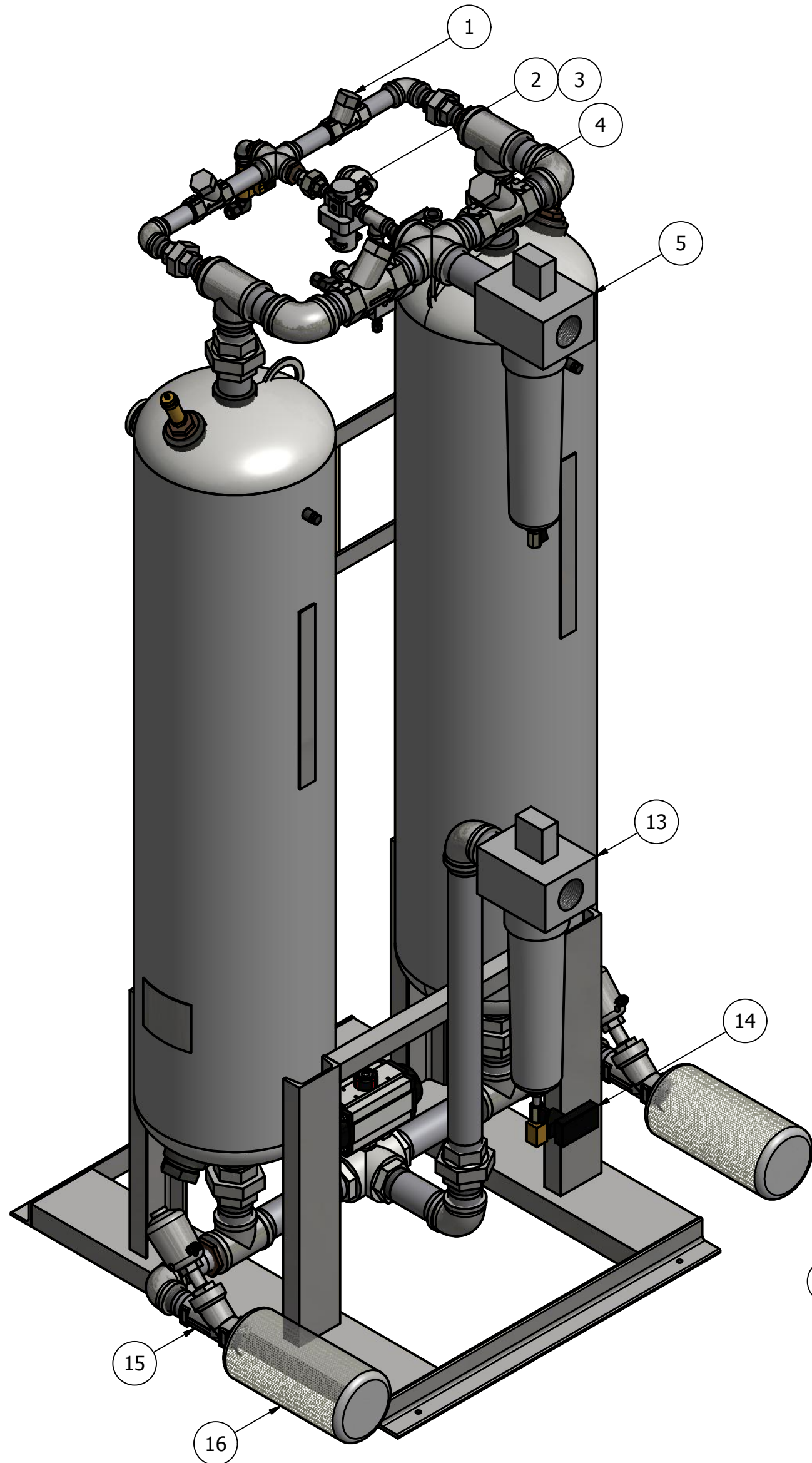
REV.
A

DRAWN: WS
CHECKED:
DATE: 7/15/2021
DATE:

SCALE: N/A
SHEET: 2 OF 2

PARTS LIST

ITEM	QTY	DESCRIPTION
1	2	CHECK VALVE, PURGE
2	1	PRESSURE REGULATOR, PURGE
3	1	PRESSURE GAUGE, PURGE
4	2	CHECK VALVE, OUTLET
5	1	PARTICULATE AFTER-FILTER
6	2	RELIEF VALVE, TANK
7	1	PRESSURE REGULATOR, CONTROL
8	1	PRESSURE GAUGE, CONTROL
9	1	MOISTURE INDICATOR
10	1	SOLENOID VALVE, REPRESS
11	1	DEW POINT MONITOR (OPTIONAL)
12	2	PRESSURE GAUGE, TANK
13	1	COALESCING PRE-FILTER
14	1	TIMED DRAIN
15	2	ANGLE BODY VALVE, EXHAUST
16	2	MUFFLER, EXHAUST
17	1	3 WAY BALL VALVE, INLET
18	440 LBS	DESICCANT



PRELIMINARY